

Pro Components

CTP-D14 SERIES PRINTED CIRCUIT TEST POINTS

SPECIFICATIONS:

Material: 0.381mm x 0.762mm(0.015" x 0.030") Diameter.
Phosphor Bronze #510 Alloy.

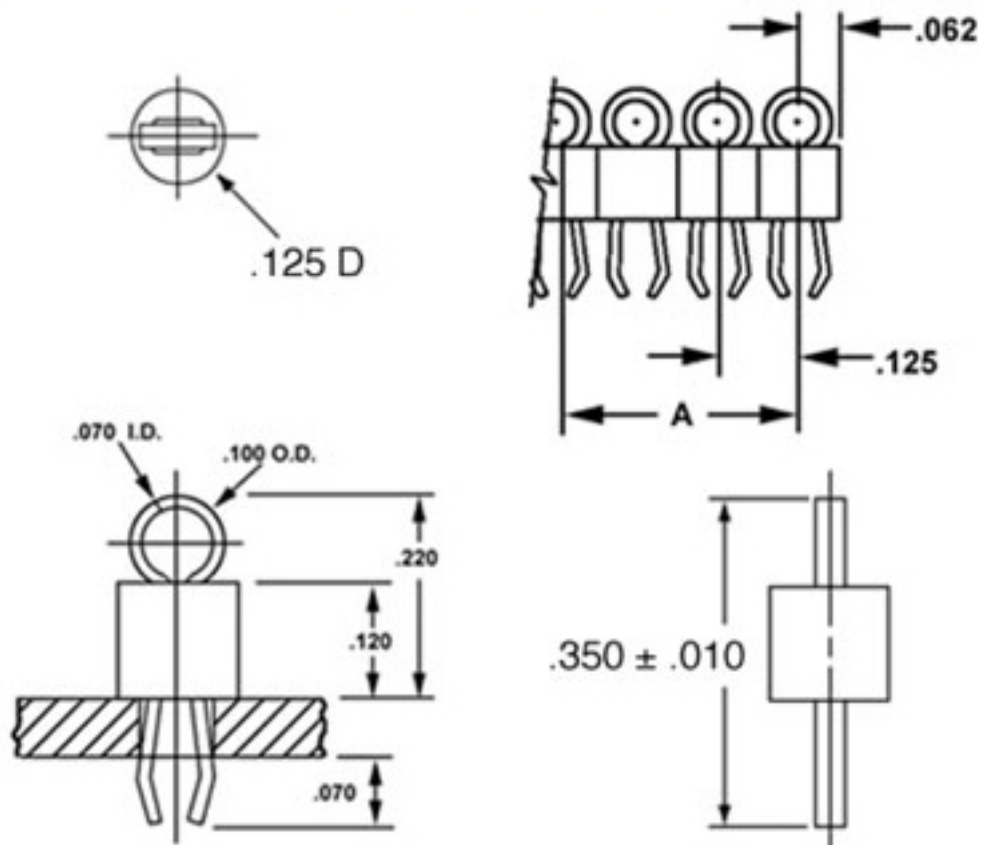
Finish: Bright, Electro-Tin.

Mounting: 1.602mm(0.063") Diameter Hole.

Collar: 30% Glass Filled Polyester.



DIMENSIONS:(UNITS: INCHES)



Pro Components

CTP-D14 SERIES PRINTED CIRCUIT TEST POINTS

DIMENSIONS:

Part Number	Dimension "A"	Part Number	Dimension "A"
CTP-D14-01	N/A	CTP-D14-16	47.625mm (1.875")
CTP-D14-02	3.175mm (0.125")	CTP-D14-17	50.800mm (2.000")
CTP-D14-03	6.350mm (0.250")	CTP-D14-18	53.975mm (2.125")
CTP-D14-04	9.525mm (0.375")	CTP-D14-19	57.150mm (2.250")
CTP-D14-05	12.700mm (0.500")	CTP-D14-20	60.325mm (2.375")
CTP-D14-06	15.875mm (0.625")	CTP-D14-21	63.500mm (2.500")
CTP-D14-07	19.050mm (0.750")	CTP-D14-22	66.675mm (2.625")
CTP-D14-08	22.225mm (0.875")	CTP-D14-23	69.850mm (2.750")
CTP-D14-09	25.400mm (1.000")	CTP-D14-24	73.025mm (2.875")
CTP-D14-10	28.575mm (1.125")	CTP-D14-25	76.200mm (3.000")
CTP-D14-11	31.750mm (1.250")	CTP-D14-26	79.375mm (3.125")
CTP-D14-12	34.925mm (1.375")	CTP-D14-27	82.550mm (3.250")
CTP-D14-13	38.100mm (1.500")	CTP-D14-28	85.725mm (3.375")
CTP-D14-14	41.275mm (1.625")	CTP-D14-29	88.900mm (3.500")
CTP-D14-15	44.450mm (1.750")	CTP-D14-30	92.075mm (3.625")

PART NUMBER:

CTP-D14-08 - BLK

Series ——— | ——— Color:
 # of Position: ——— | ——— BLK = Black
 01 ~ 30 ——— | ——— BRN = Brown
 ORG = Orange
 YEL = Yellow
 GRN = Green
 BLU = Blue
 PUR = Purple
 GRY = Gray
 WHT = White